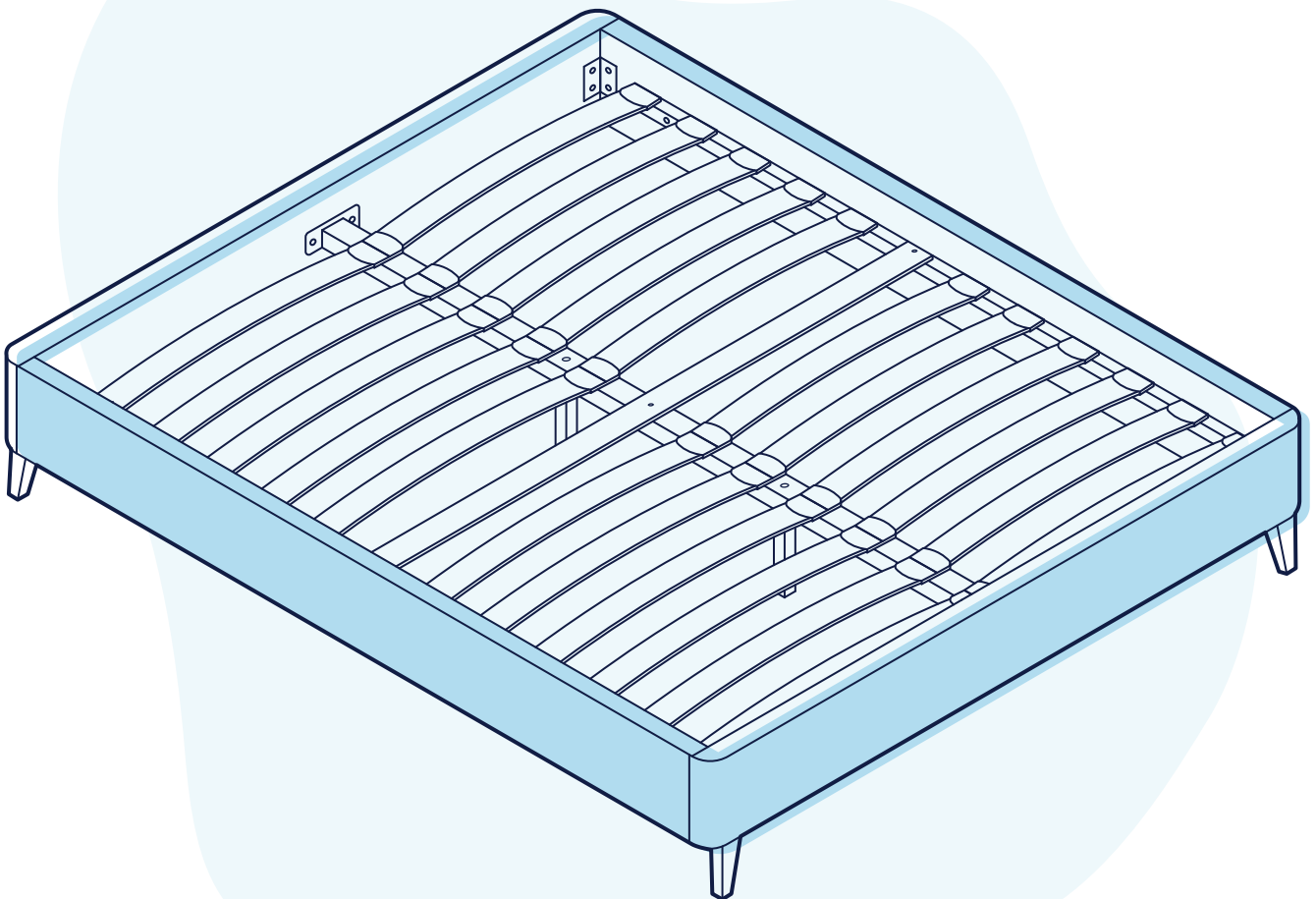


Sommier Scandinave

Scandinavian box spring / Rete scandinava / Somier Escandinava /
Scandinavische bedbodem / Box spring escandinavo



HYPNIA



Let's go !

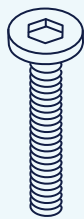
You can do it all by yourself

Visserie

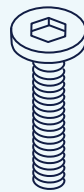
Screws / Viti / Empulgueras / Schroeven / Parafusos



① x1



② x4



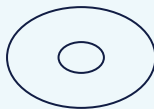
③ x10



④ x22

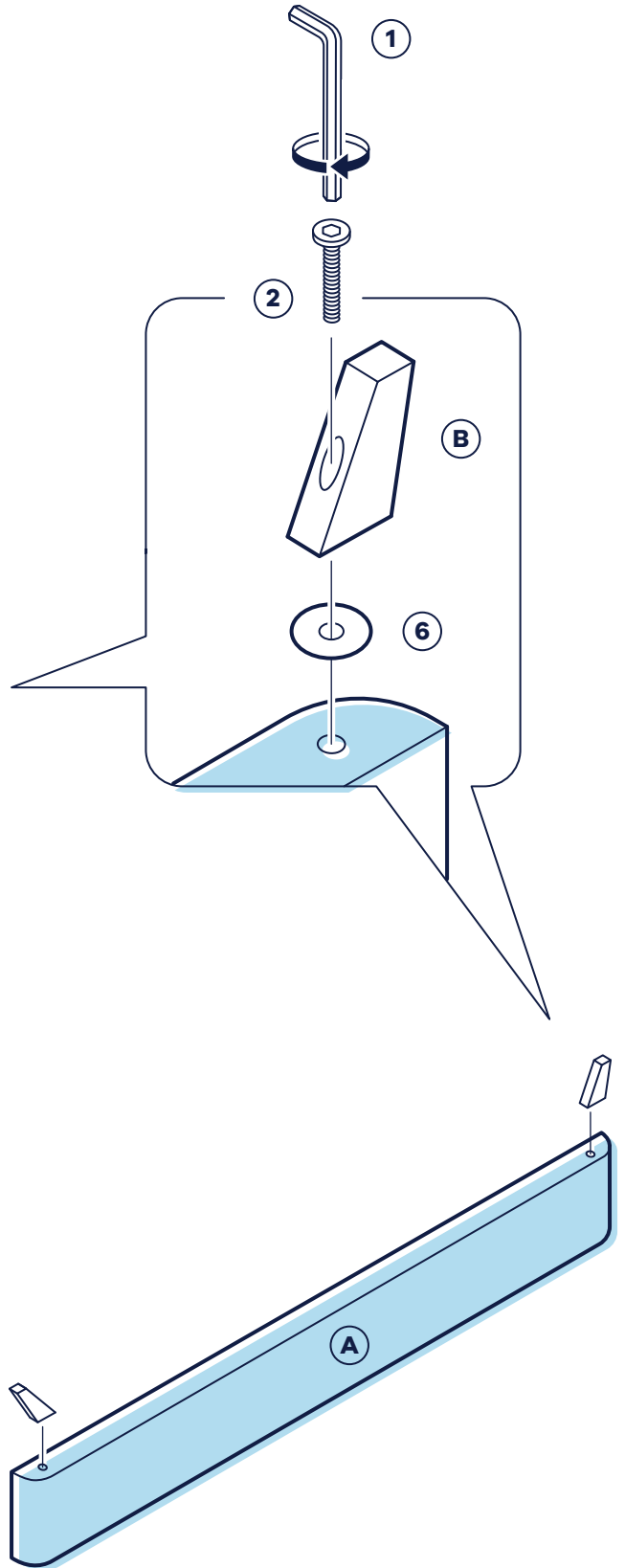
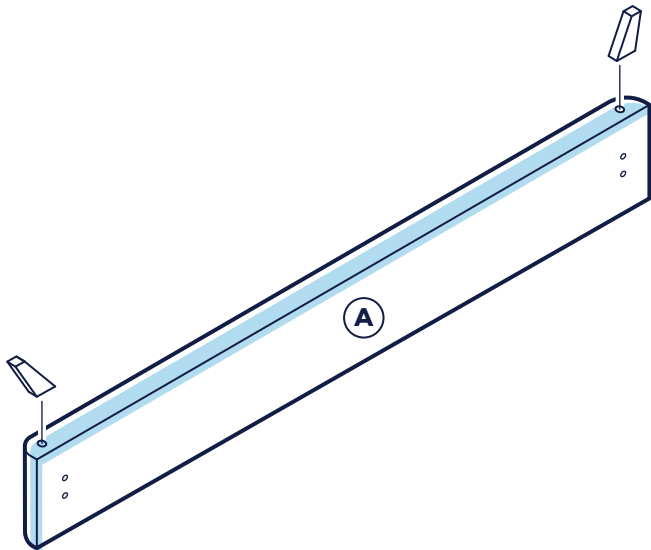


⑤ x2



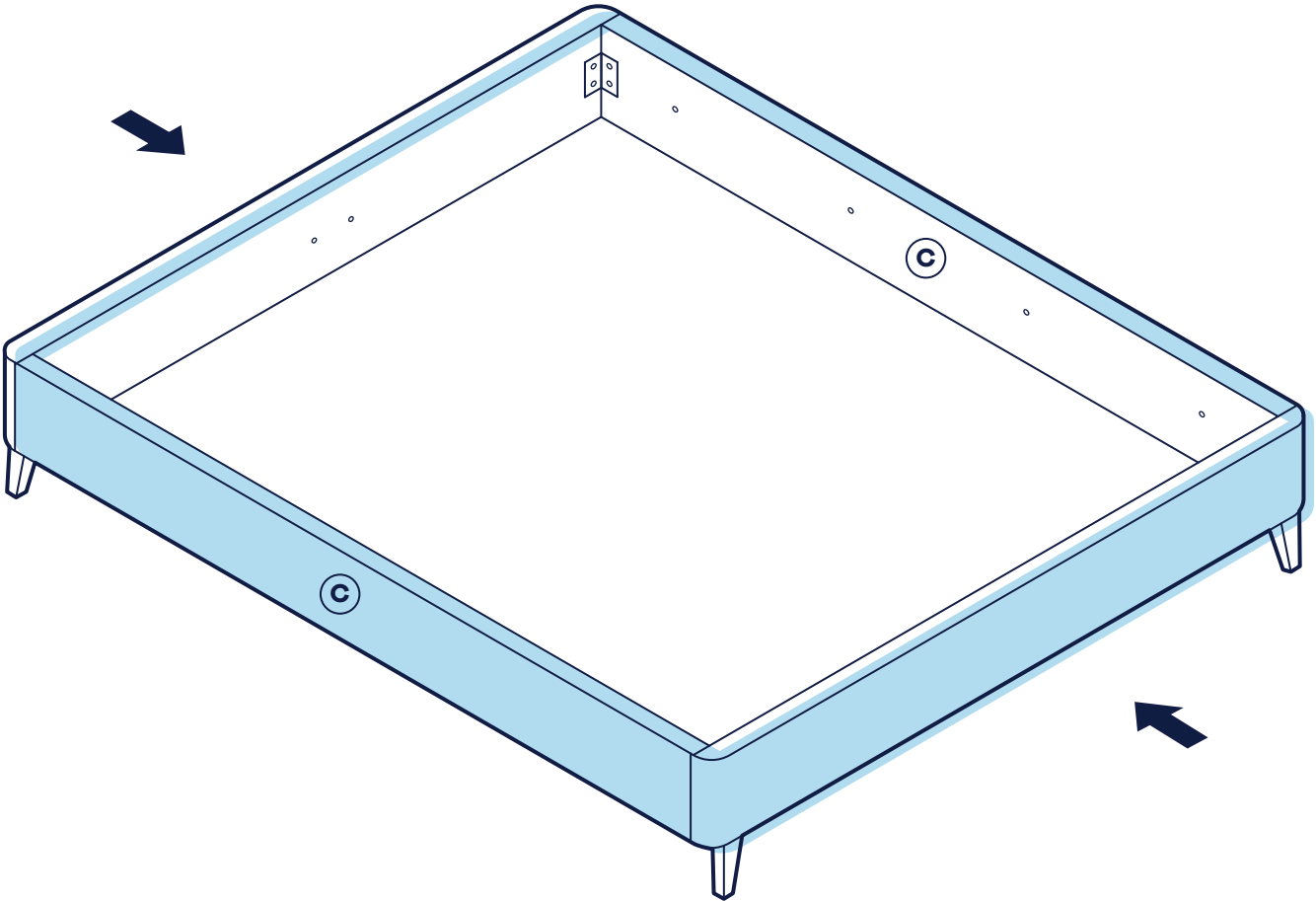
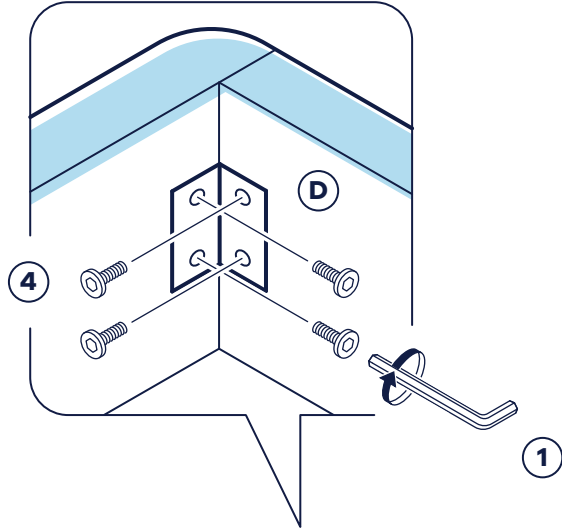
⑥ x4

1



(A) x2 (B) x4 (2) x4 (6) x4

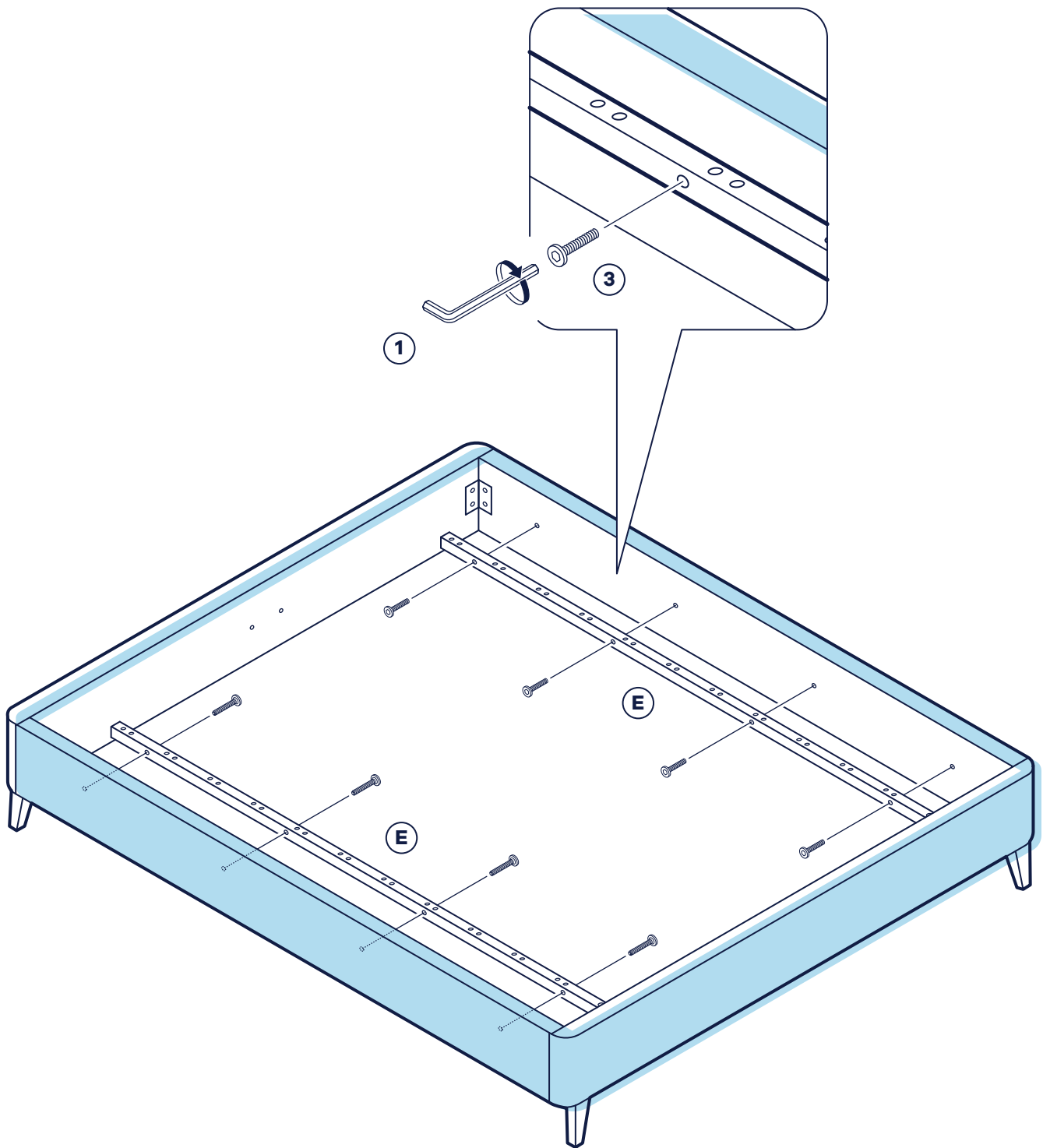
2



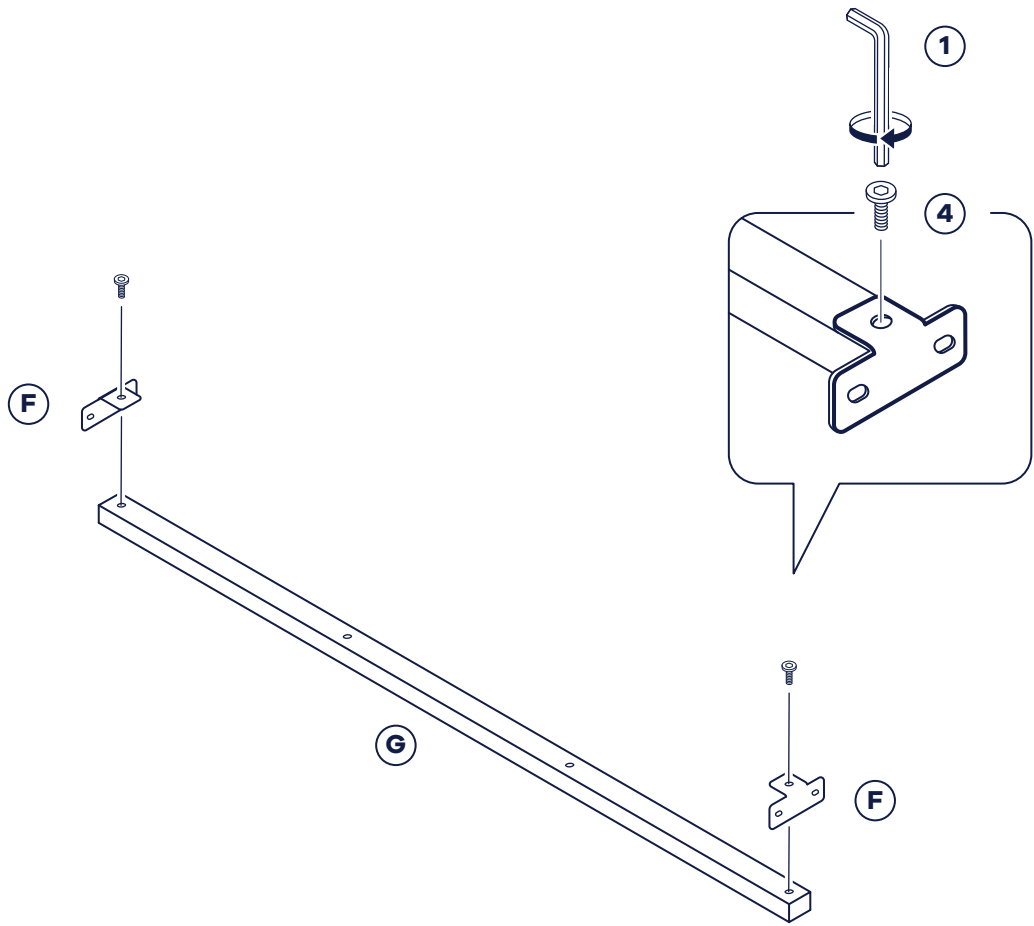
(C) x2

(D) x4

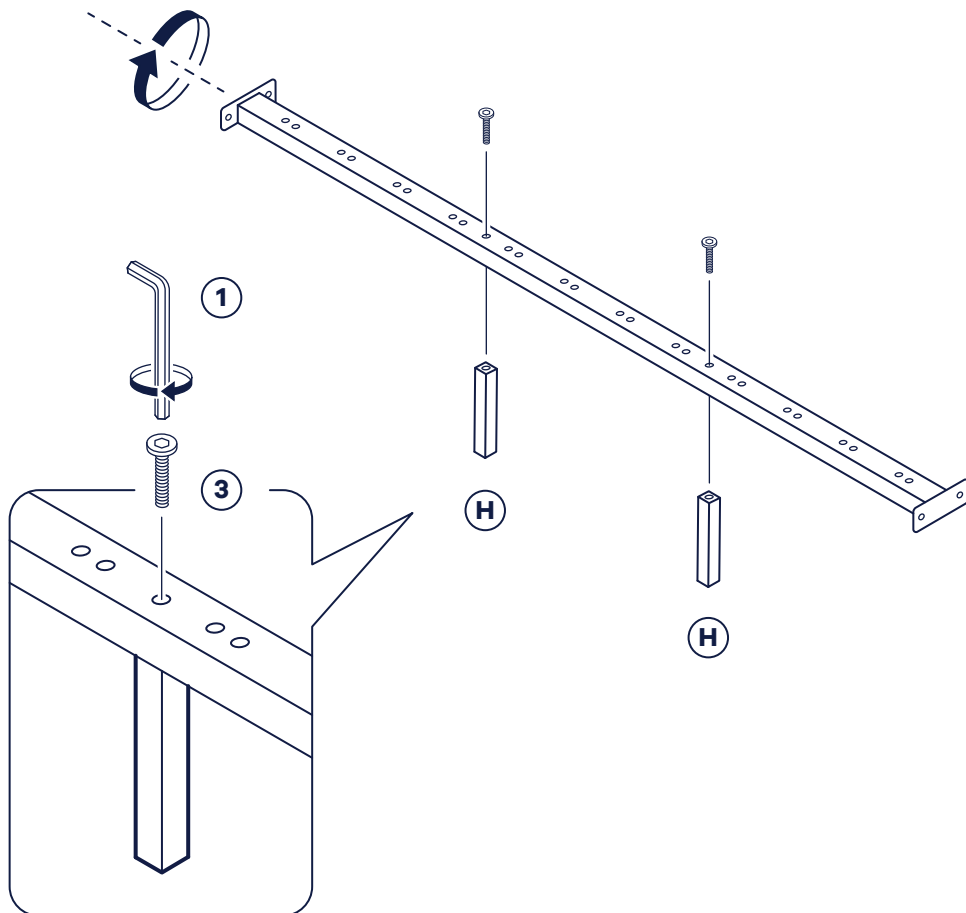
(4) x16



4

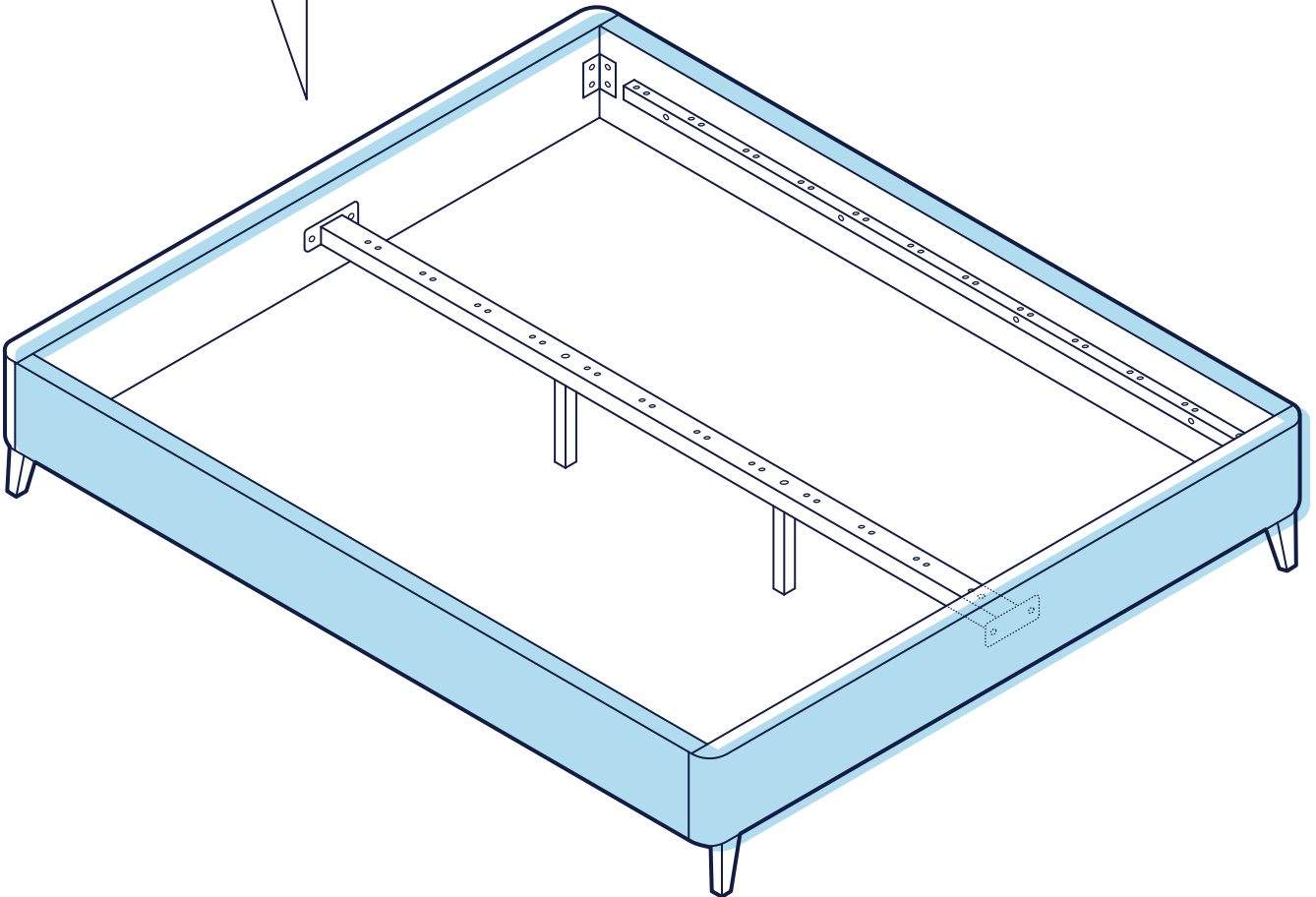
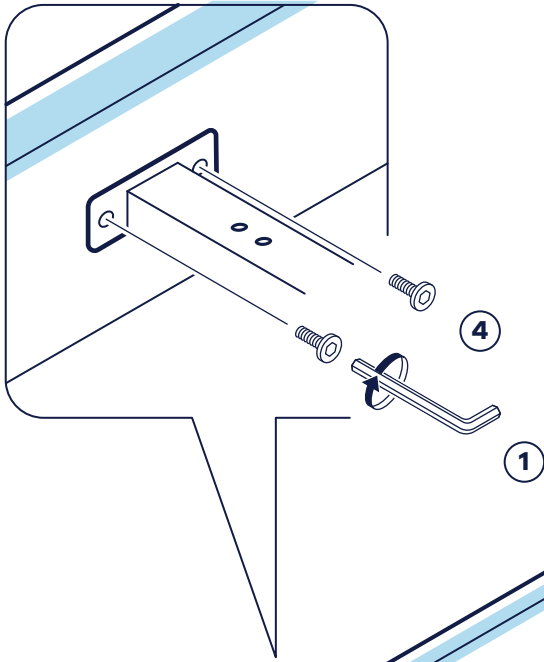


(F) x2 (G) x1 (4) x2



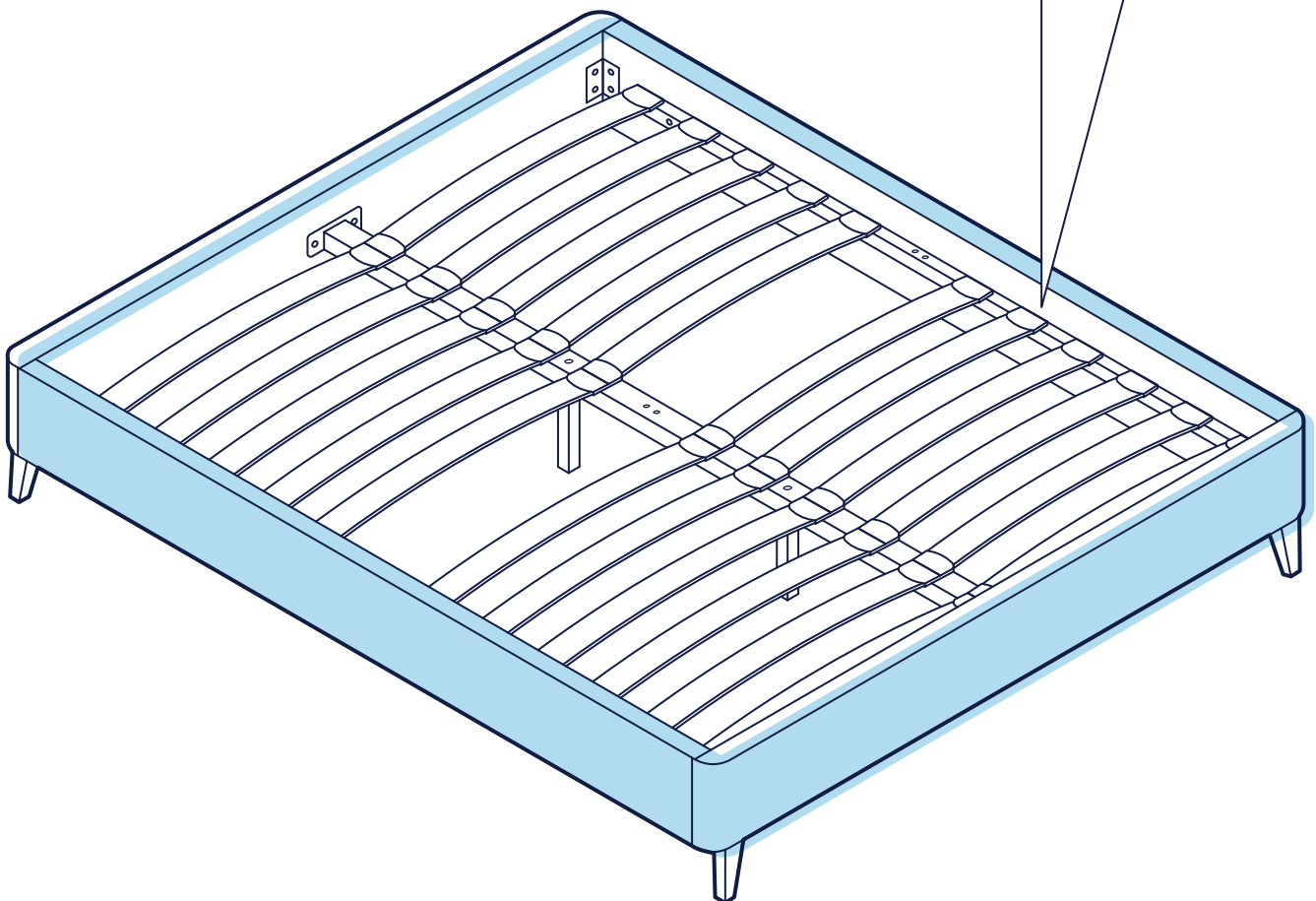
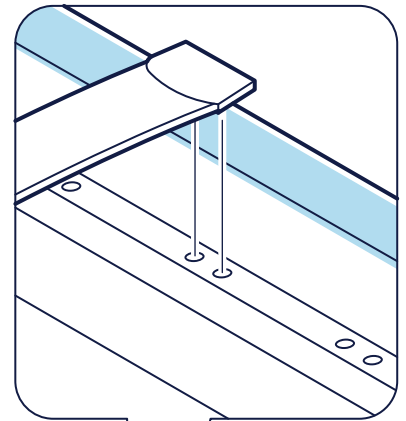
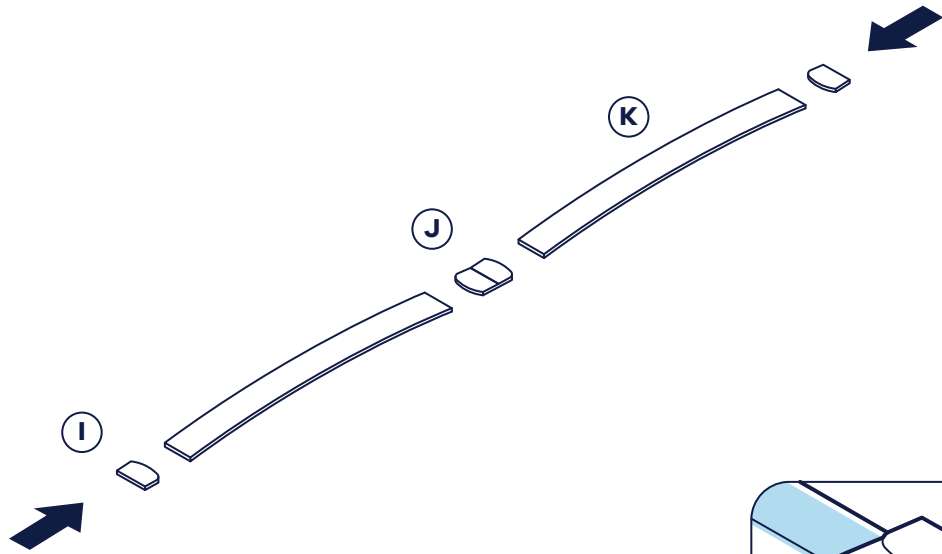
(H) x2 (3) x2

5



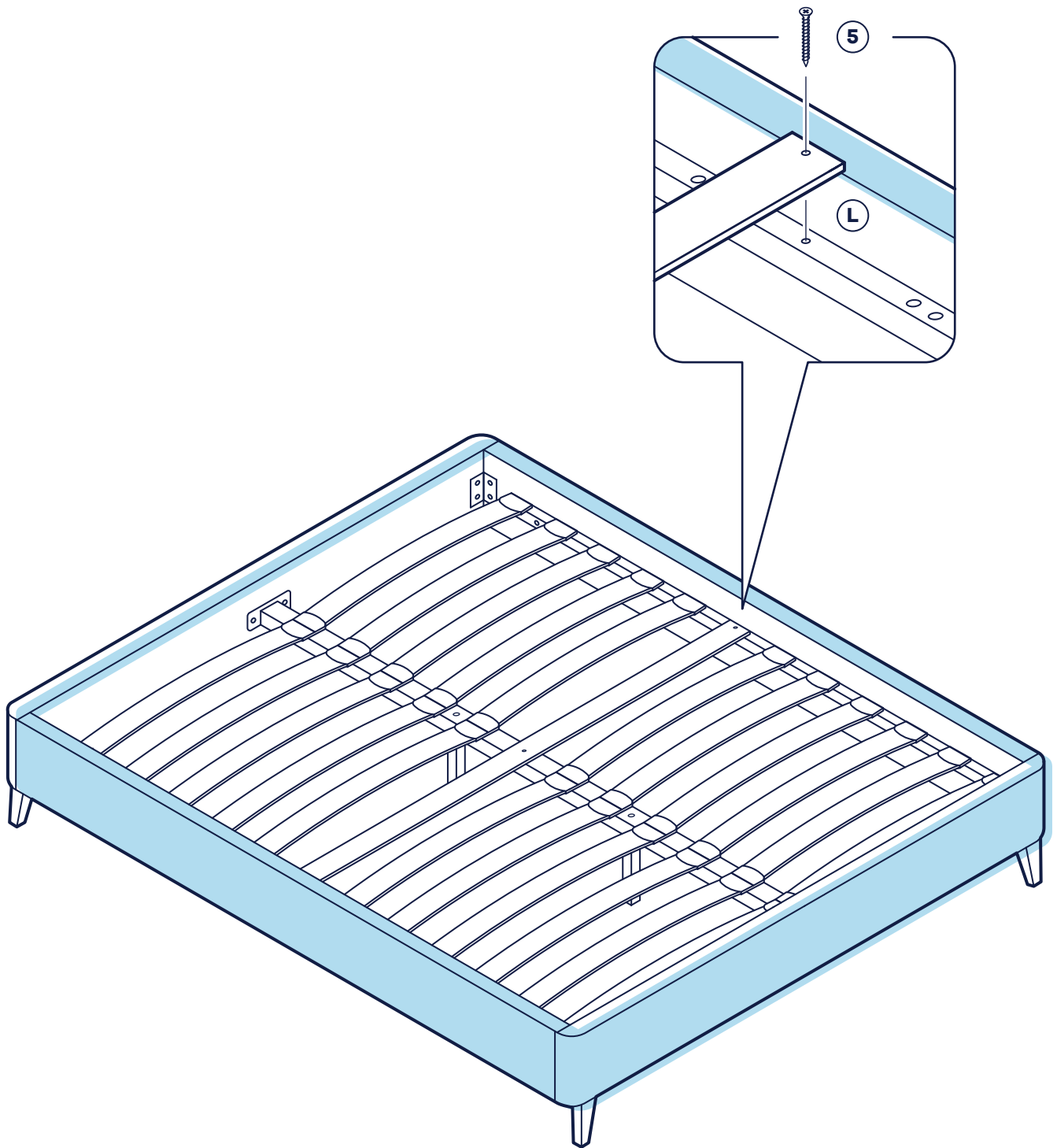
④ x4

6



ⓐ x22 ⓑ x11 ⓒ x22

7



(L) x1

(5) x2





Well, nice job !

Now, let's get some sleep !